

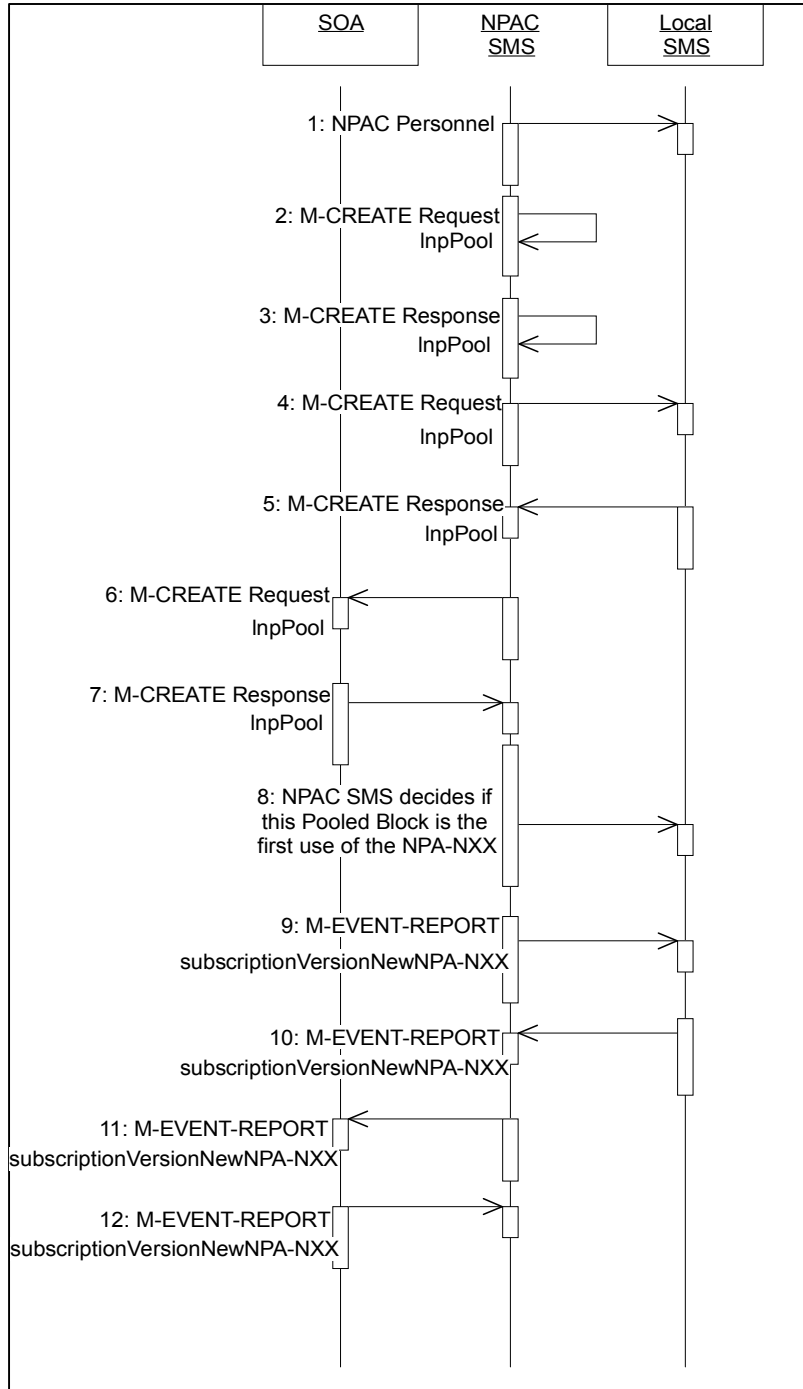
Number Pooling, Block Holder Information, IIS Flows

1. Create Block Holder Information
2. Modify Block Holder Information
3. Delete Block Holder Information
4. Query by SOA of Block Holder Information
5. Query by Local SMS of Block Holder Information

1.1.1 Number Pooling Block Holder Information Scenarios

1.1.1.1 Block Holder Information Creation by the NPAC

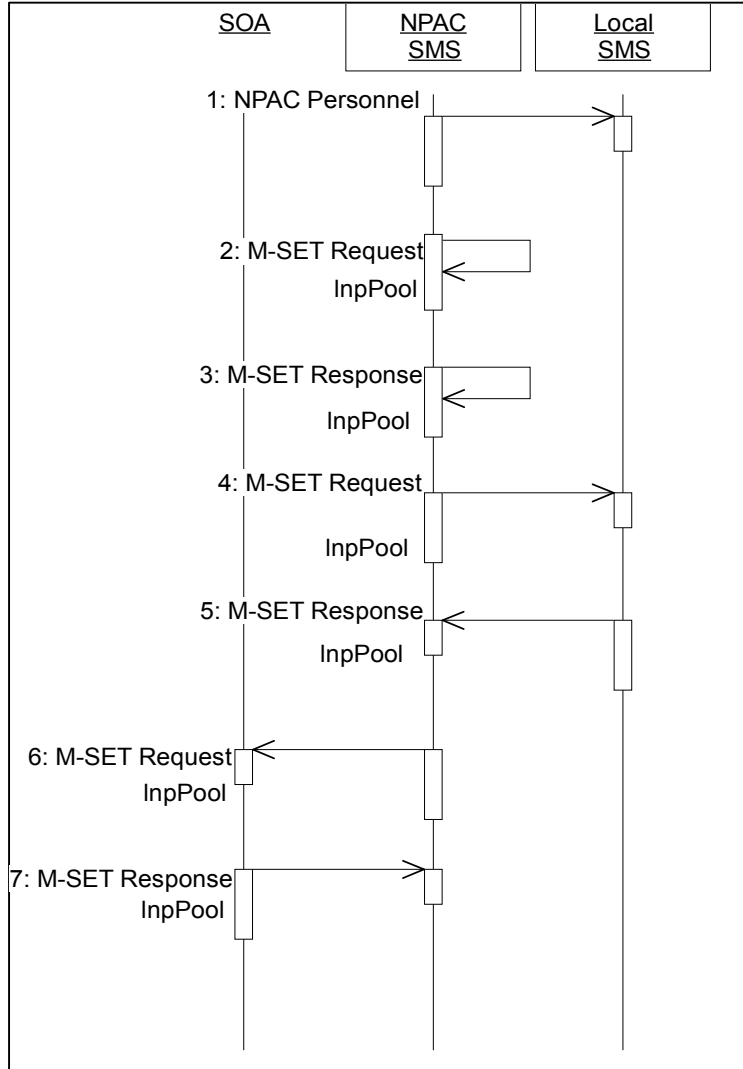
In this scenario, the NPAC SMS creates Number Pooling Block Holder information for a new pooled block.



- a. Action is taken by the NPAC personnel to create a new pooled block in the Number Pooling Block Holder information table.
- b. The NPAC SMS sends an M-CREATE request to itself in order to create a local InpPool object.
- c. The NPAC SMS receives the M-CREATE response indicating whether the InpPool object was created successfully.
- d. If the InpPool object was created, the NPAC SMS sends an M-CREATE request to all Local SMS(s) for the InpPool object.
- e. The Local SMS(s) responds by sending an M-CREATE response indicating whether the InpPool object was created successfully.
- f. If the InpPool object was created, the NPAC SMS sends an M-CREATE request to the SOA for the InpPool object.
- g. The SOA responds by sending an M-CREATE response indicating whether the InpPool object was created successfully.
- h. NPAC SMS decides if this Pooled Block is the first use of the NPA-NXX.
- i. If this is the first use of the NPA-NXX, the NPAC SMS sends the subscriptionVersionNewNPA-NXX M-EVENT-REPORT to inform the accepting Local SMS(s).
- j. The Local SMS(s) confirm the M-EVENT-REPORT.
- k. If this is the first use of the NPA-NXX, the NPAC SMS sends the subscriptionVersionNewNPA-NXX M-EVENT-REPORT to inform the SOA.
- l. The SOA confirms the M-EVENT-REPORT.

1.1.1.2 Block Holder Information Modification by the NPAC

In this scenario, the NPAC SMS modifies Number Pooling Block Holder information for a pooled block.

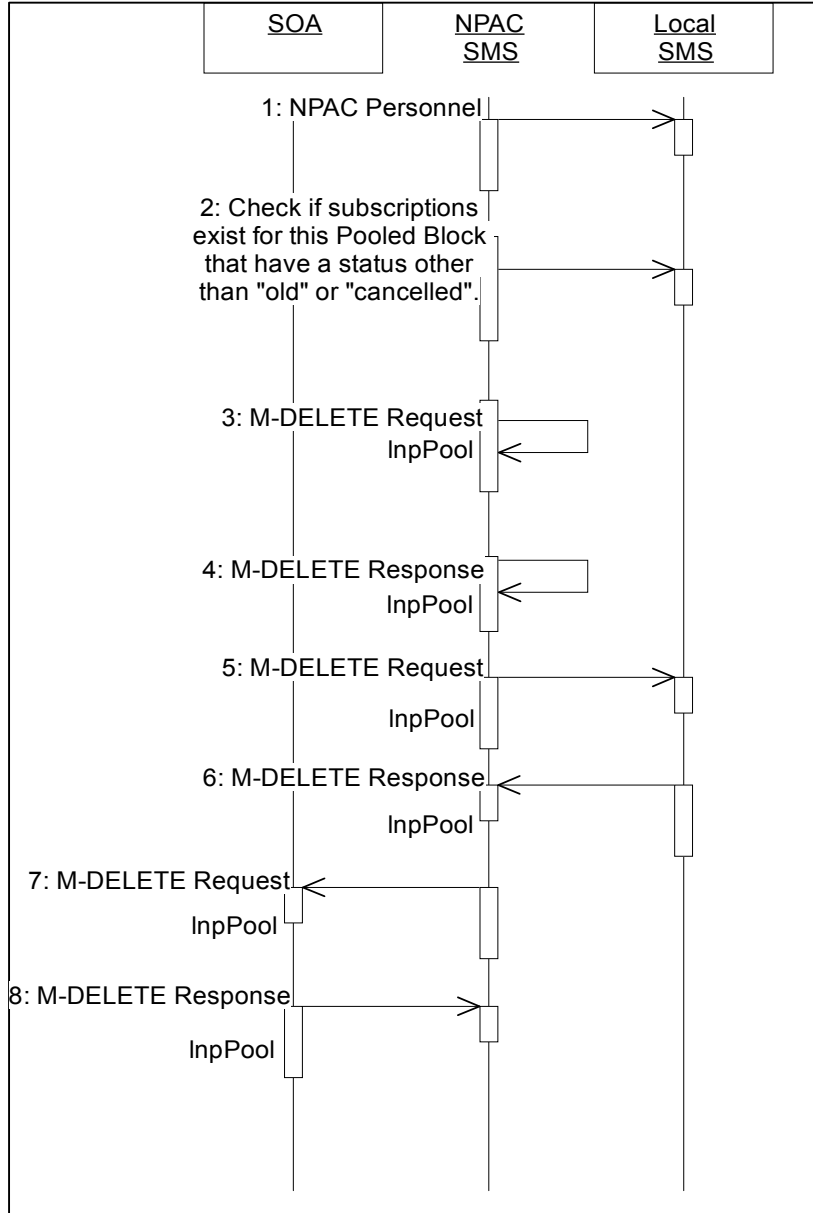


- m. Action is taken by the NPAC personnel to modify a pooled block in the Number Pooling Block Holder information table.
- n. The NPAC SMS sends an M-SET request to itself requesting that an InpPool object be modified.
- o. The NPAC SMS receives the M-SET response indicating whether the InpPool object was modified successfully.
- p. If the InpPool object was modified, the NPAC SMS sends an M-SET request to all Local SMS(s) for the InpPool object.

- q. The Local SMS(s) respond by sending an M-SET response indicating whether the InpPool object was modified successfully.
- r. If the InpPool object was modified, the NPAC SMS sends an M-SET request to the SOA for the InpPool object.
- s. The SOA responds by sending an M-SET response indicating whether the InpPool object was modified successfully.

1.1.1.3 Block Holder Information Deletion by the NPAC

In this scenario, the NPAC SMS deletes Number Pooling Block Holder information for a pooled block.

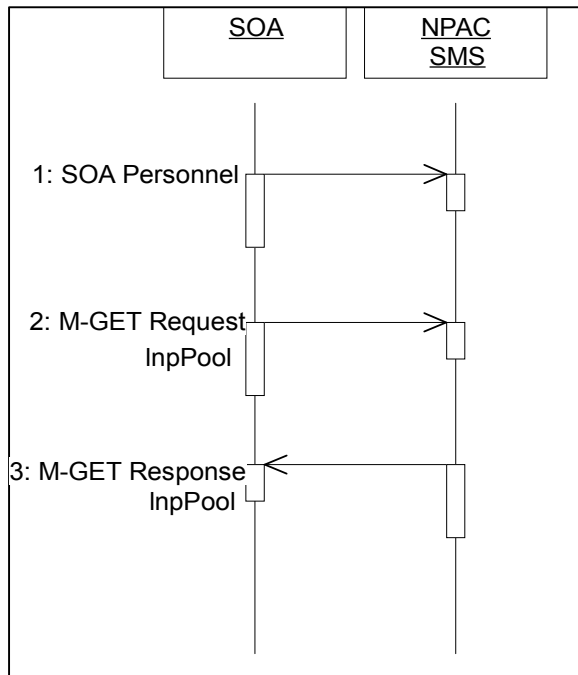


- t. Action is taken by the NPAC SMS personnel to delete a pooled block in the Number Pooling Block Holder information table.
- u. Check the subscription database to see if subscriptions exist with this Pooled Number Block that have a status other than "old" or "canceled." If so, terminate processing at this point.

- v. The NPAC SMS sends an M-DELETE request to itself in order to delete the local InpPool object.
- w. The NPAC SMS receives the M-DELETE response indicating whether the InpPool object was deleted successfully.
- x. If the InpPool object was deleted, the NPAC SMS sends an M-DELETE request to all Local SMS(s) for the InpPool object.
- y. The Local SMS(s) responds by sending an M-DELETE response indicating whether the InpPool object was deleted successfully.
- z. If the InpPool object was deleted, the NPAC SMS sends an M-DELETE request to the SOA for the InpPool object.
- aa. The SOA responds by sending an M-DELETE response indicating whether the InpPool object was deleted successfully.
- bb.

1.1.1.4 Block Holder Information Query by the SOA

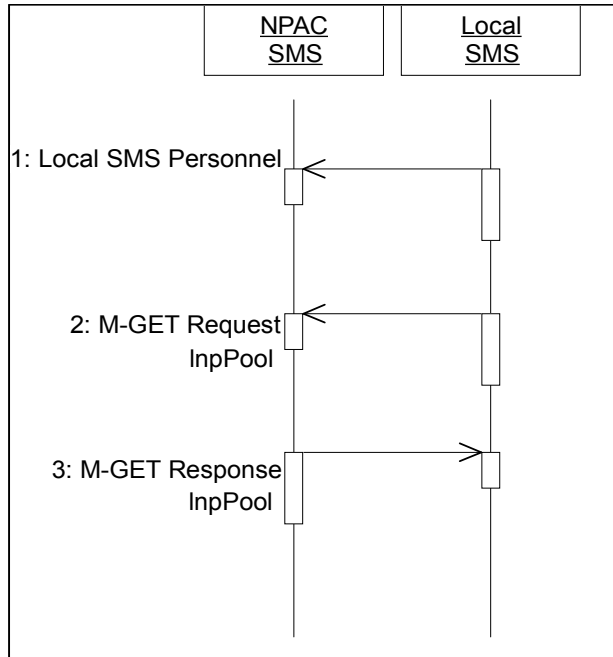
In this scenario, the SOA queries Block Holder data.



- cc. Action is taken by SOA personnel to query Block Holder information.
- dd. The SOA sends an M-GET request to the NPAC SMS for the InpPool object.
- ee. The NPAC SMS responds by sending an M-GET response containing the data back to the SOA.

1.1.1.5 Block Holder Information Query by the Local SMS

In this scenario, the Local SMS queries Block Holder data.



- ff. Action is taken by Local SMS personnel to query Block Holder information.
- gg. The Local SMS sends an M-GET request to the NPAC SMS for the InpPool object.
- hh. The NPAC SMS responds by sending an M-GET response containing the data back to the Local SMS.